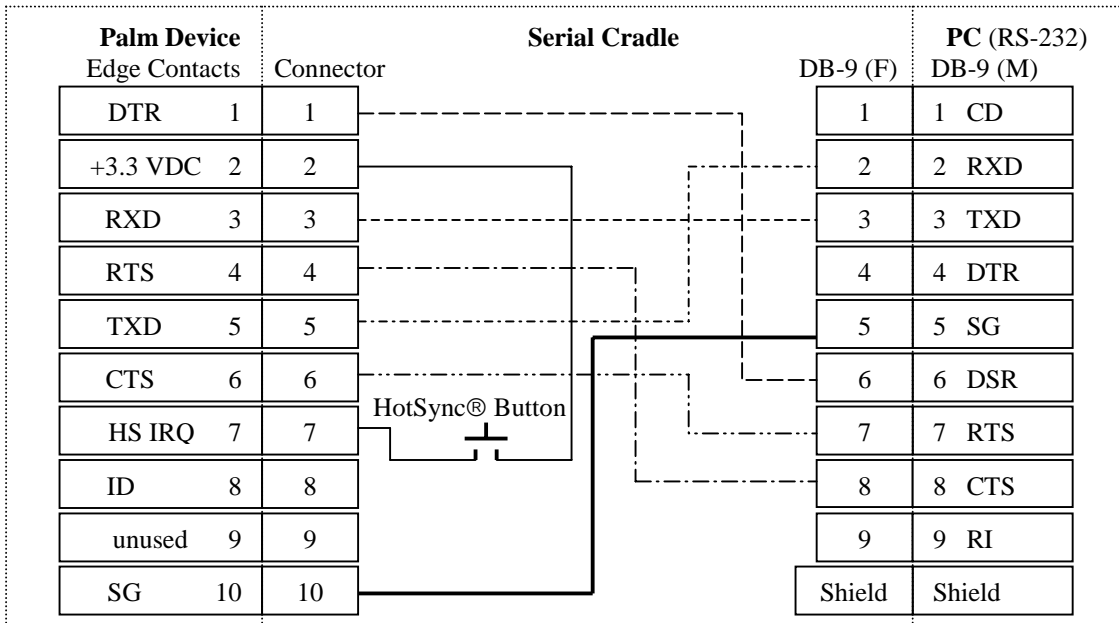
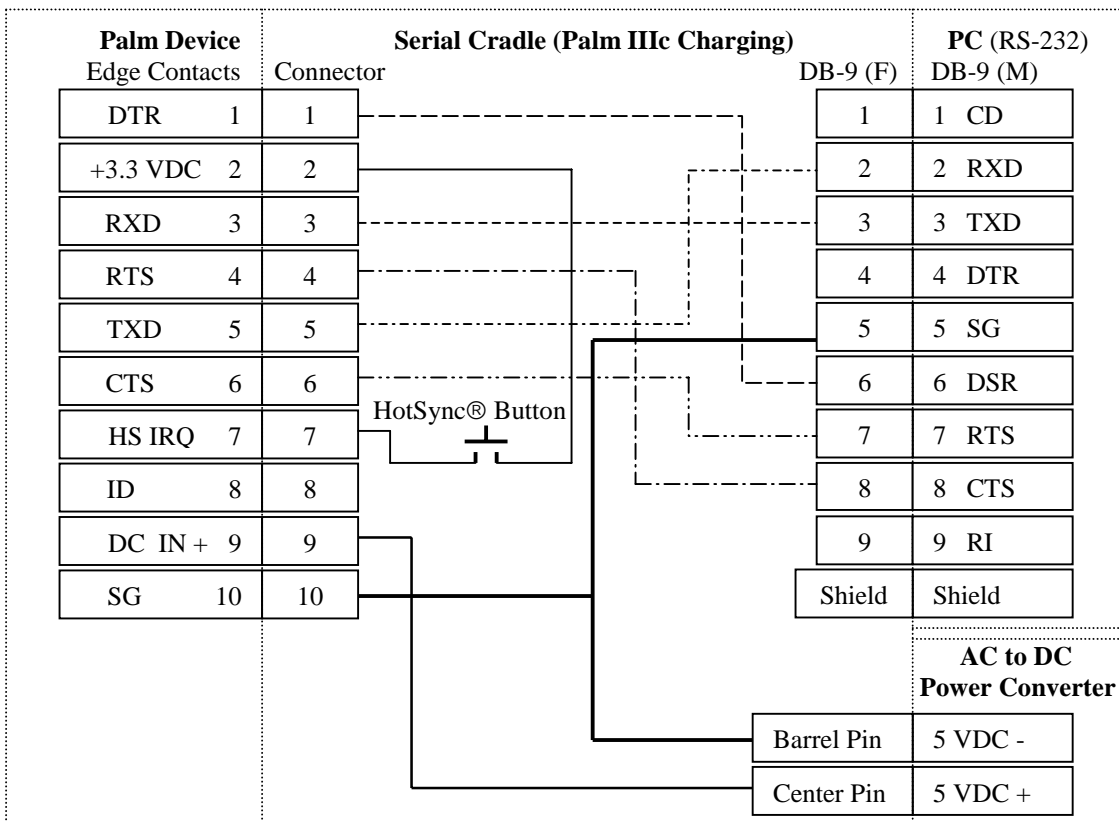


## Electrical Interface (10-Pin) Connections



The Palm V does not contain an internal charging circuit like the rest of the rechargeable devices. Because the Palm V charging cradle has more complex wiring for the external charging circuit it is intentionally not publicly documented. The rest of the connections are like the above diagram except that on the device: there is a 10-Pin connector that mates to a different cradle connector, Pin-2 is connected to the + terminal of the battery, and Pin-10 is also connected to the - terminal of battery.



# Electrical Interface (10-Pin) Connections

